



A UNIQUE EYE CATCHING CENTREPIECE FOR ANY EVENT



**FAST EASY
SET-UP**



**FEATURED ON
DRAGON'S DEN**

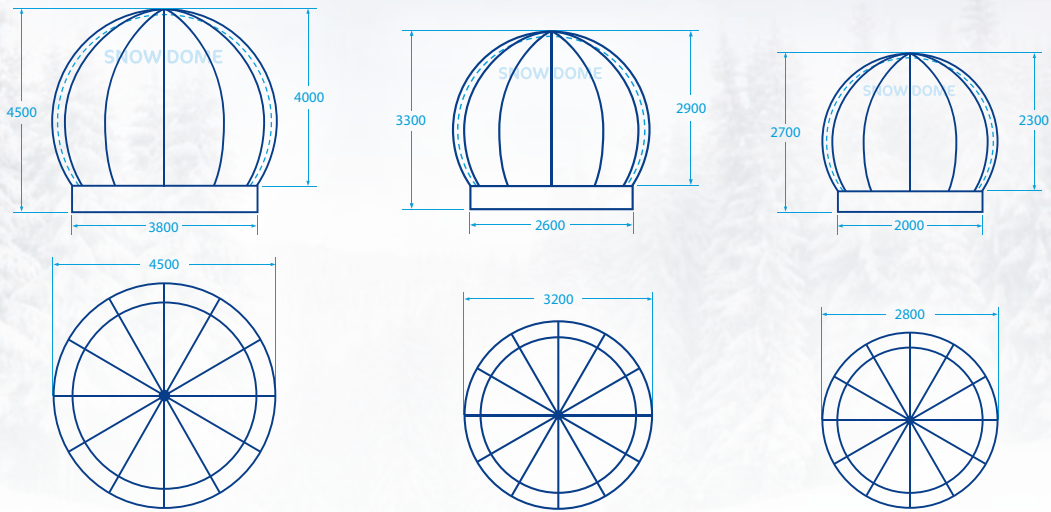


**NEW
LIGHTWEIGHT
CNC STEEL
BASE**

- Sold throughout Europe, America, Asia, Africa and Australia.
- Garden centres, hospitals, attractions, shopping centres, holiday parks, theme parks, road shows, theatre productions, events, corporate promotions, parties and weddings.
- All year round appeal, can be custom branded for the season or themed promotion.
- It is an innovative, British made superior quality product that delivers a unique marketing opportunity. Combine it with a photo package and boost your Facebook, Twitter or social media following for only a fraction of your marketing budget.

www.giant-snowglobe.com | 0781 0874417

THE MAGICAL EFFECT OF A SNOWGLOBE ALL YEAR ROUND



BESPOKE SIZES AVAILABLE ON REQUEST



JBL ECO GLOBE SNOW 5KG SACKS

are recommended for use in all our Snowglobes

WARRANTY

Snowglobe is a unique and innovative product, quality made in the UK to the highest standards and is backed by a full warranty.



email: office@jblleisure.com telephone: **0781 0874417**

to view the full details and watch the video of the snowglobe go to www.giant-snowglobe.com

Snowglobe is a quality British made product

UK MANUFACTURED

EXCLUSIVELY LICENSED BY



JBL LEISURE LTD, UNITED KINGDOM
CONTACT: +44 (0)781 087 4417
WEBSITE: www.giant-snowglobe.com

© 2015 JBL Leisure Limited, all rights reserved. The Snowglobe carries a UK Patent Number GB2457100. Also a European Community Design Registration Number 000925078-0001 and International Patent application PCT/EP2009/051060.

www.giant-snowglobe.com | **0781 0874417**